

# XYZ CT 52 LR



Spindle: 11.2kW (15hp) 4,500 rpm  
Spindle Bore: 52mm  
Travels: 165 x 315mm  
Machine Weight: 2,000kg

**SIEMENS**



## The XYZ Compact Turn 52 LR Turning Centre.

Following on from the best-selling XYZ LR machining centres, the same linear rail technology has now been applied to the Turning Centre. The result is the Compact Turn 52 LR with 52mm bar capacity. Equipped with the latest Siemens 828D control and with a footprint of only 1.9 x 1.5 metres, the **XYZ CT 52 LR** punches way above its weight and size. This is high level turning production with the minimum of outlay.



*The solid cast construction of the XYZ Compact Turn.*

# XYZ CT 52 LR

## Standard Equipment

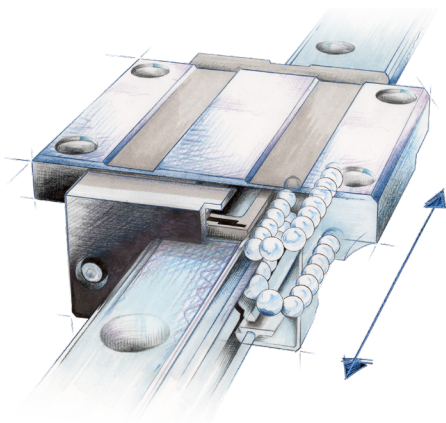
- Siemens 828D Control.
- PLC written by Siemens UK.
- Hydraulic 150mm 3 Jaw Chuck.
- Tool Setting Arm.
- 10 Station Block Turret.
- Flood Coolant.
- USB Port.

## Optional Equipment

- Advanced Programming (ShopTurn).
- Swarf Conveyor and Bin.
- Parts Catcher.
- Contour Handwheel.
- Network Setup at your factory.
- LNS or Hydrafeed Barfeed Systems.
- Collet Chucks.
- Tooling Options (Holders, Bar Pullers etc).
- Advanced Swarf Management System.
- Off line Programming.
- Siemens CAD Reader.
- Oil Skimmer.
- Hydraulic 200mm 3 Jaw Chuck.

## With linear rail slides

The **XYZ CT 52 LR** features the latest in high quality linear rail ball bearing slide technology.



Specification	XYZ CT 52 LR
Power Chuck Diameter	150mm
Maximum Swing	300mm
Swing Over Carriage Cover	220mm
Maximum Turned Diameter	180mm
Maximum Turned Length	300mm
X Axis Travel	165mm
Y Axis Travel	N/A
Z Axis Travel	315mm
Spindle Centre Height from Floor	950mm
Height from floor to spindle centre	960mm
Spindle Nose	A2-5
Spindle Bore (Drawtube Capacity)	52mm
Spindle Front Bearing Internal Dia	100mm
Spindle Speeds	4,500 rpm
Spindle Motor	11.2kW (15hp)
Min Speed for Full Power	1,500 rpm
Rapid Feedrate	20 M/min
Slideway Type	Linear Way
Ballscrew	X = 28mm / Z = 32mm
Servo Motor	8 Nm
Toolchanger (directly mounted tools)	10 Station Block
Tool Section Size	20 x 20mm
Max Boring Bar Diameter	32mm
Tailstock Quill Taper	N/A
Quill Diameter	N/A
Quill Travel	N/A
Max Quill Thrust	N/A
Coolant Tank Capacity	80L
Coolant Pump Delivery	30 L/min @ 0.8 Bar
Machine Weight	2,000kg
Footprint	1,920 x 1,520 x 2,080mm

Conforming to ISO 13041	
Positional accuracy	+/- 5 microns
Repeatability	+/- 2 microns
Cutting accuracy over 100mm	10 microns
Geometric accuracy over 100mm	10 microns